

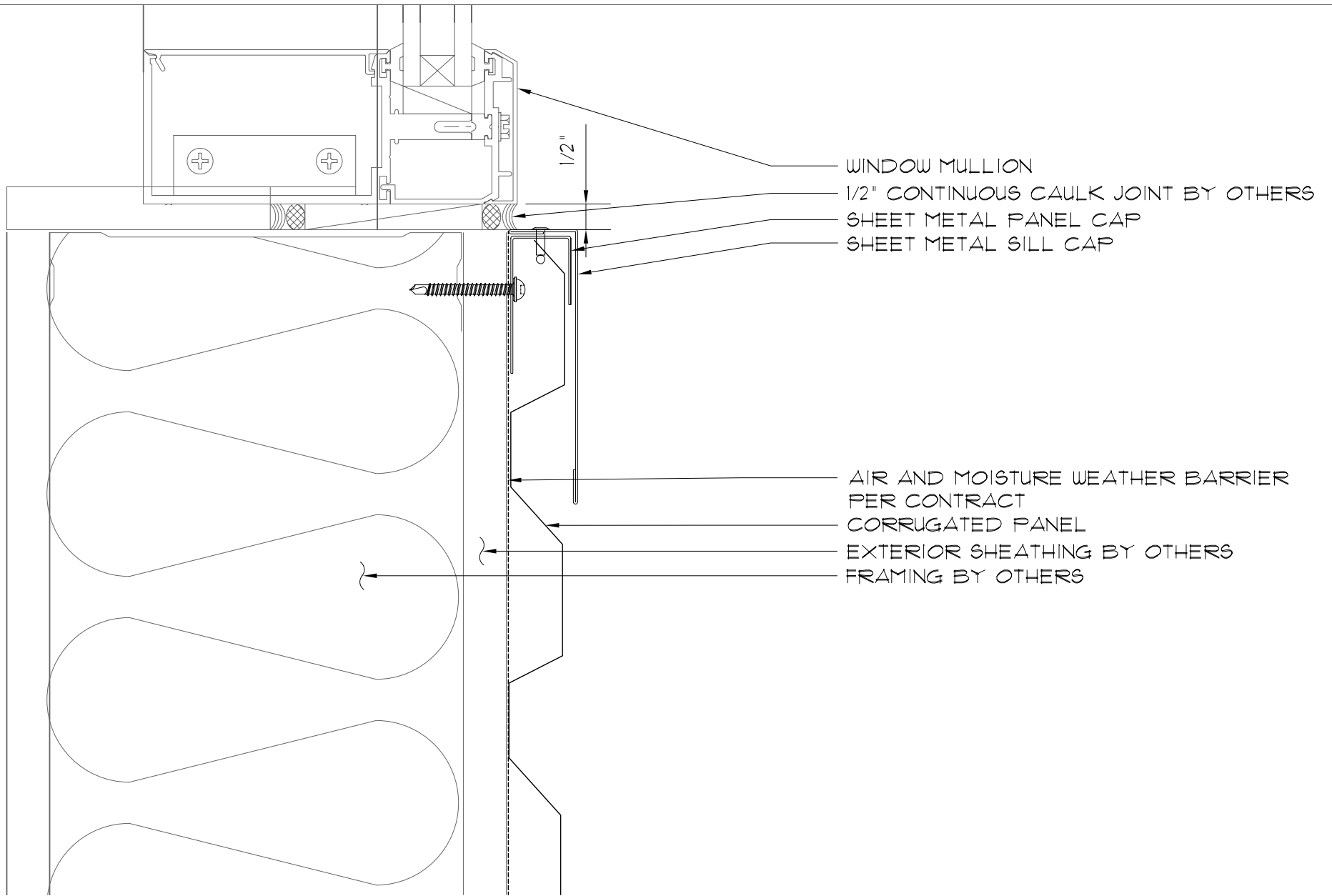
Ø1 CORRUGATED VERTICAL BATTEN DETAIL

STANDARD CORRUGATED DETAILS

IF YOU ARE INTERESTED IN USING THESE DETAILS IN YOUR DESIGN SHEETS, PLEASE CONTACT BESTWORTH-ROMMEL FOR ADDITIONAL DETAILS, CADD DWGS, OR FURTHER INFORMATION REGARDING OUR PANEL SYSTEMS



BESTWORTH-ROMMEL, INC.  
 19818 74TH Ave. N.E.  
 Arlington, WA 98223  
 360.435.2921  
 www.bestworth.com



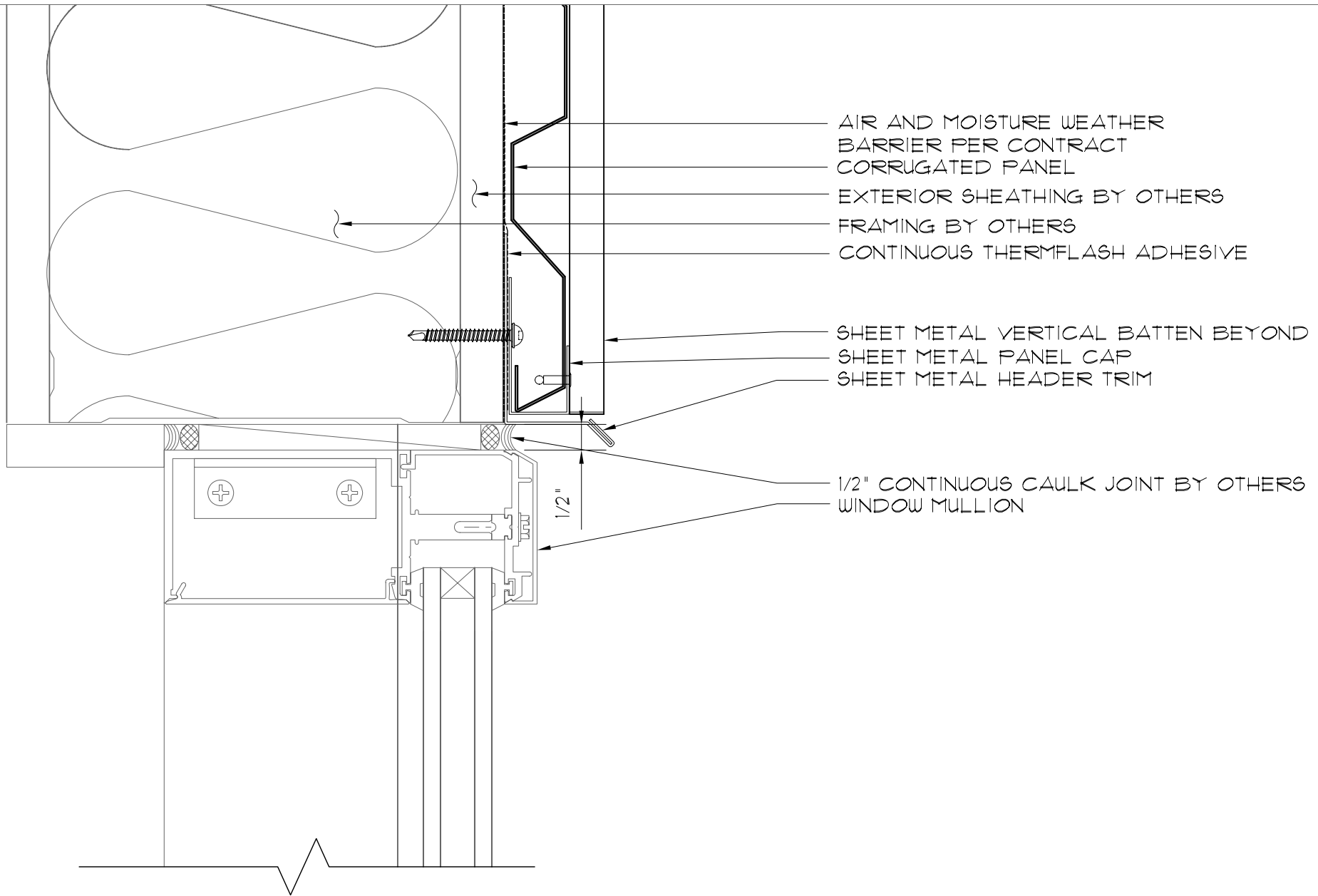
Ø2 CORRUGATED @ WINDOW SILL DETAIL

STANDARD CORRUGATED DETAILS

IF YOU ARE INTERESTED IN USING THESE DETAILS IN YOUR DESIGN SHEETS, PLEASE CONTACT BESTWORTH-ROMMEL FOR ADDITIONAL DETAILS, CADD DWGS, OR FURTHER INFORMATION REGARDING OUR PANEL SYSTEMS



BESTWORTH-ROMMEL, INC.  
 19818 74TH Ave. N.E.  
 Arlington, WA 98223  
 360.435.2921  
 www.bestworth.com



AIR AND MOISTURE WEATHER  
BARRIER PER CONTRACT  
CORRUGATED PANEL  
EXTERIOR SHEATHING BY OTHERS  
FRAMING BY OTHERS  
CONTINUOUS THERMFLASH ADHESIVE

SHEET METAL VERTICAL BATTEN BEYOND  
SHEET METAL PANEL CAP  
SHEET METAL HEADER TRIM

1/2" CONTINUOUS CAULK JOINT BY OTHERS  
WINDOW MULLION

Ø3 CORRUGATED @ WINDOW HEADER DETAIL

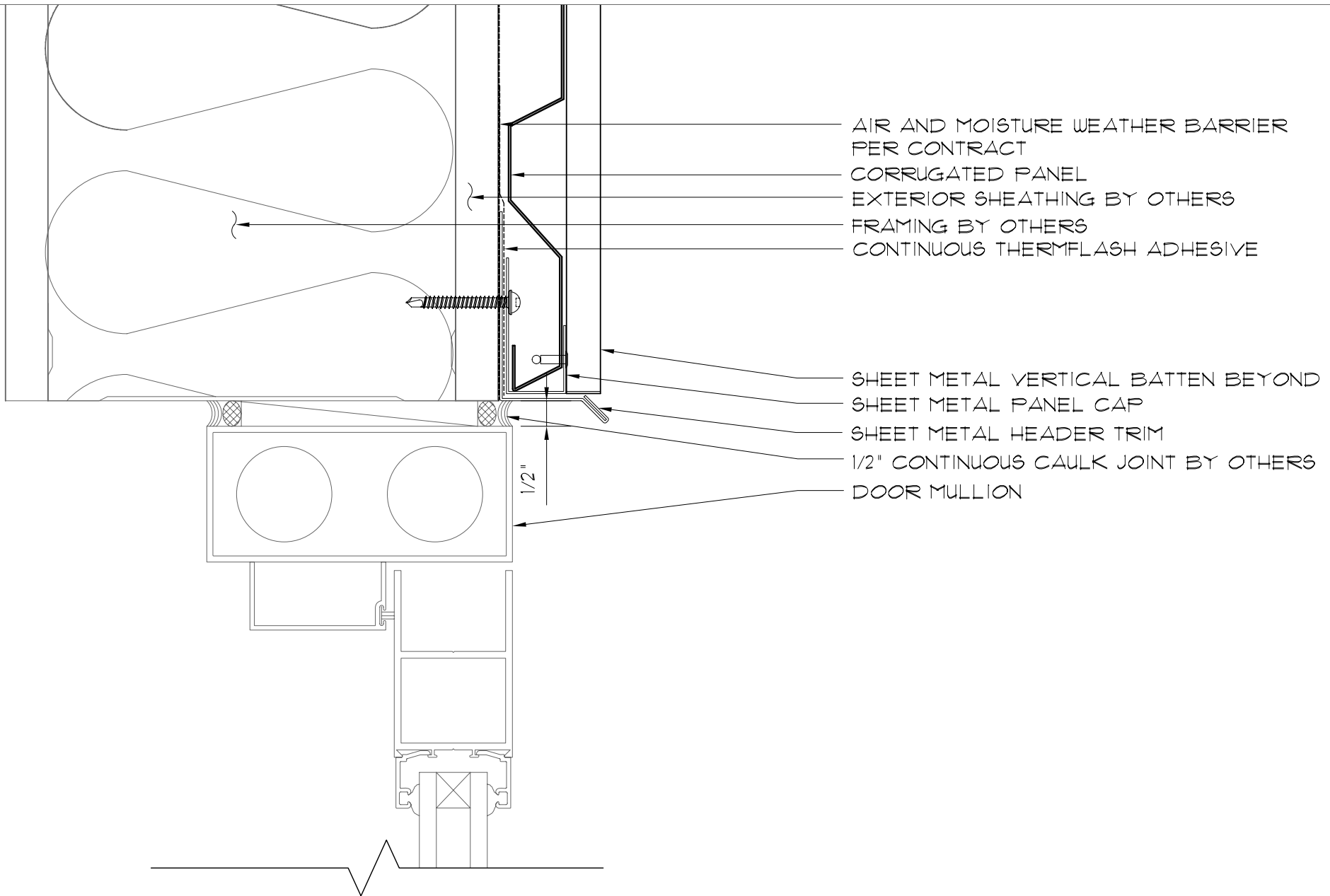
STANDARD CORRUGATED DETAILS

IF YOU ARE INTERESTED IN USING THESE DETAILS IN YOUR DESIGN SHEETS, PLEASE CONTACT BESTWORTH-ROMMEL FOR ADDITIONAL DETAILS, CADD DWGS, OR FURTHER INFORMATION REGARDING OUR PANEL SYSTEMS



BESTWORTH-ROMMEL, INC.  
19818 74TH Ave. N.E.  
Arlington, WA 98223

360.435.2921  
www.bestworth.com



AIR AND MOISTURE WEATHER BARRIER  
PER CONTRACT  
CORRUGATED PANEL  
EXTERIOR SHEATHING BY OTHERS  
FRAMING BY OTHERS  
CONTINUOUS THERMFLASH ADHESIVE

SHEET METAL VERTICAL BATTEN BEYOND  
SHEET METAL PANEL CAP  
SHEET METAL HEADER TRIM  
1/2" CONTINUOUS CAULK JOINT BY OTHERS  
DOOR MULLION

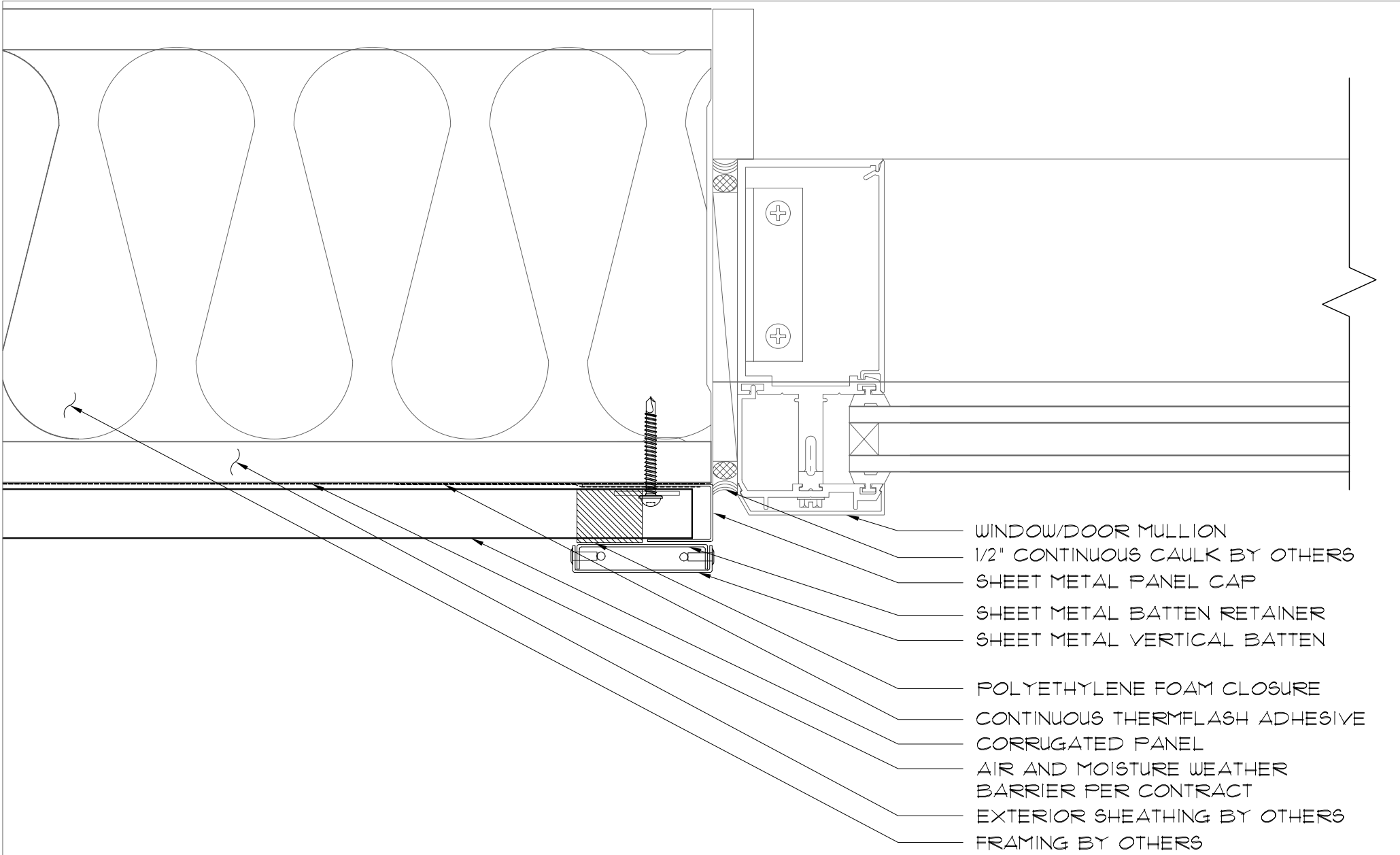
Ø4 CORRUGATED @ DOOR HEADER DETAIL

**STANDARD CORRUGATED DETAILS**

IF YOU ARE INTERESTED IN USING THESE DETAILS IN YOUR DESIGN SHEETS,  
PLEASE CONTACT BESTWORTH-ROMMEL FOR ADDITIONAL DETAILS, CADD  
DWGS, OR FURTHER INFORMATION REGARDING OUR PANEL SYSTEMS



BESTWORTH-ROMMEL, INC.  
19818 74TH Ave. N.E.  
Arlington, WA 98223  
360.435.2921  
www.bestworth.com



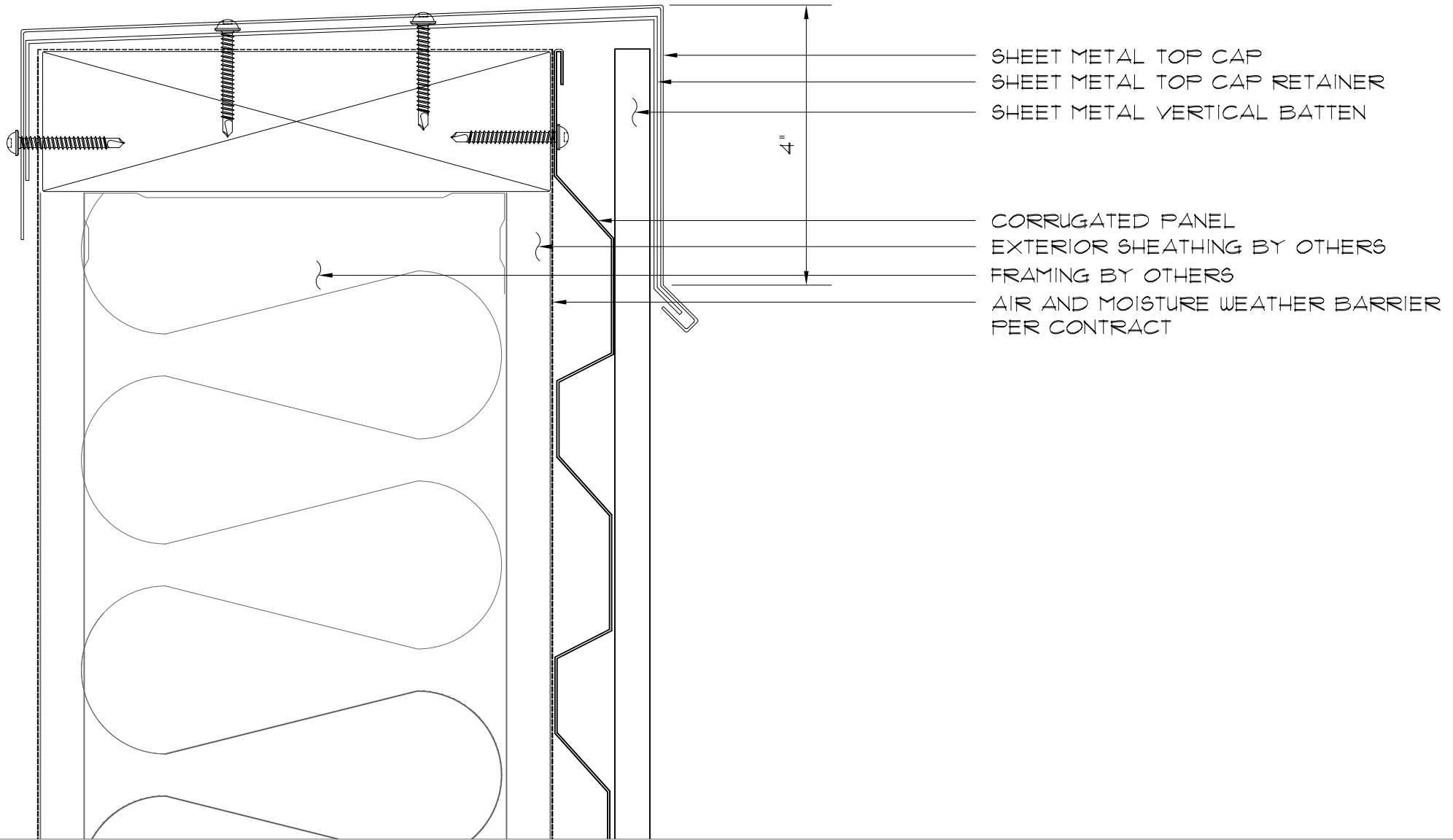
Ø5 CORRUGATED @ WINDOW/DOOR JAMB DETAIL

**STANDARD CORRUGATED DETAILS**

IF YOU ARE INTERESTED IN USING THESE DETAILS IN YOUR DESIGN SHEETS, PLEASE CONTACT BESTWORTH-ROMMEL FOR ADDITIONAL DETAILS, CADD DWGS, OR FURTHER INFORMATION REGARDING OUR PANEL SYSTEMS



BESTWORTH-ROMMEL, INC.  
 19818 74TH Ave. N.E.  
 Arlington, WA 98223  
 360.435.2921  
 www.bestworth.com



- SHEET METAL TOP CAP
- SHEET METAL TOP CAP RETAINER
- SHEET METAL VERTICAL BATTEN
- 4"
- CORRUGATED PANEL
- EXTERIOR SHEATHING BY OTHERS
- FRAMING BY OTHERS
- AIR AND MOISTURE WEATHER BARRIER PER CONTRACT

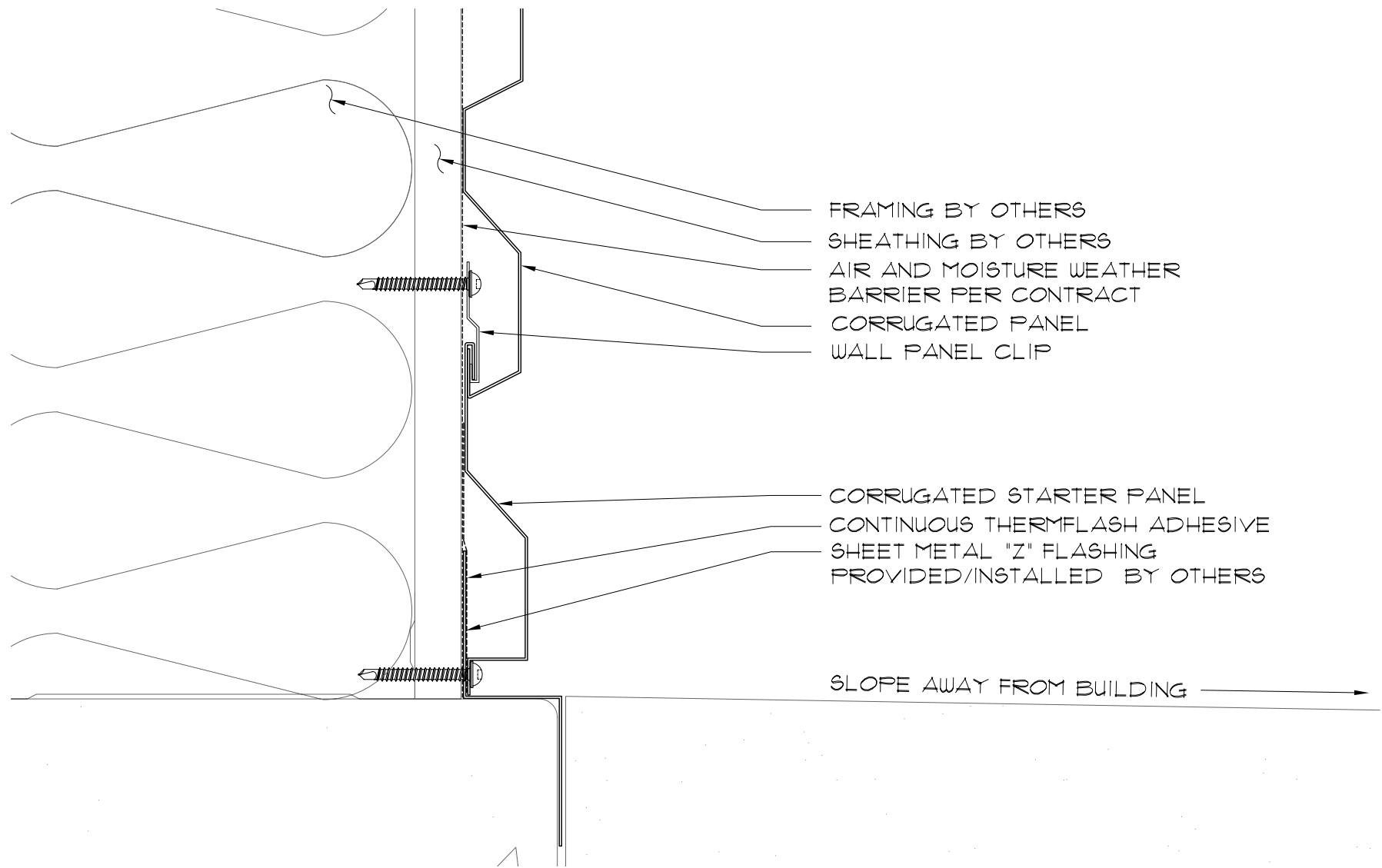
06 TOP CAP OVER CORRUGATED @ BUILDING WALL DETAIL

**STANDARD CORRUGATED DETAILS**

IF YOU ARE INTERESTED IN USING THESE DETAILS IN YOUR DESIGN SHEETS, PLEASE CONTACT BESTWORTH-ROMMEL FOR ADDITIONAL DETAILS, CADD DWGS, OR FURTHER INFORMATION REGARDING OUR PANEL SYSTEMS



BESTWORTH-ROMMEL, INC.  
 19818 74TH Ave. N.E.  
 Arlington, WA 98223  
 360.435.2921  
 www.bestworth.com



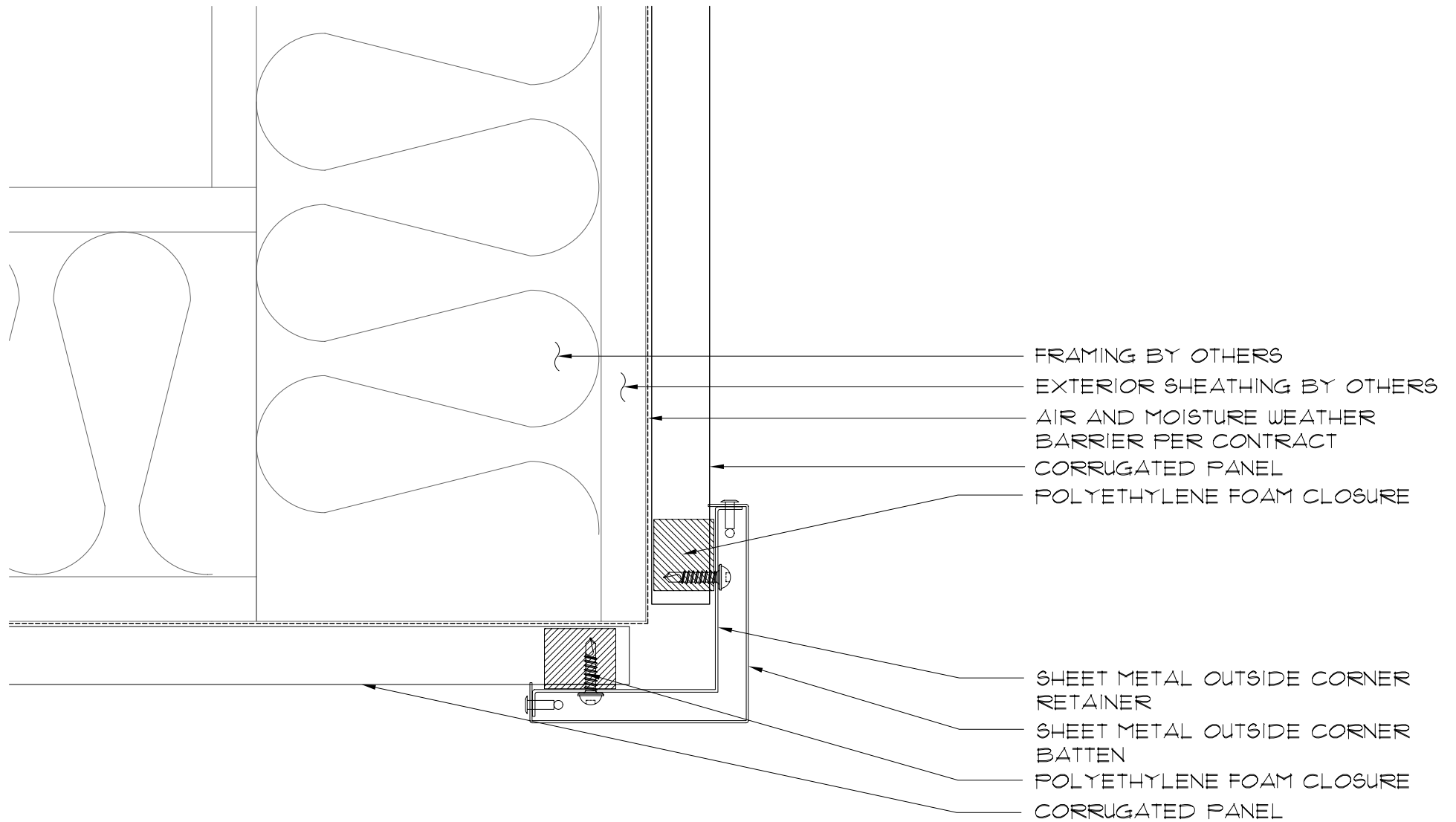
Ø1 CORRUGATED @ F.F. DETAIL

**STANDARD CORRUGATED DETAILS**

IF YOU ARE INTERESTED IN USING THESE DETAILS IN YOUR DESIGN SHEETS, PLEASE CONTACT BESTWORTH-ROMMEL FOR ADDITIONAL DETAILS, CADD DWGS, OR FURTHER INFORMATION REGARDING OUR PANEL SYSTEMS



BESTWORTH-ROMMEL, INC.  
 19818 74TH Ave. N.E.  
 Arlington, WA 98223  
 360.435.2921  
 www.bestworth.com



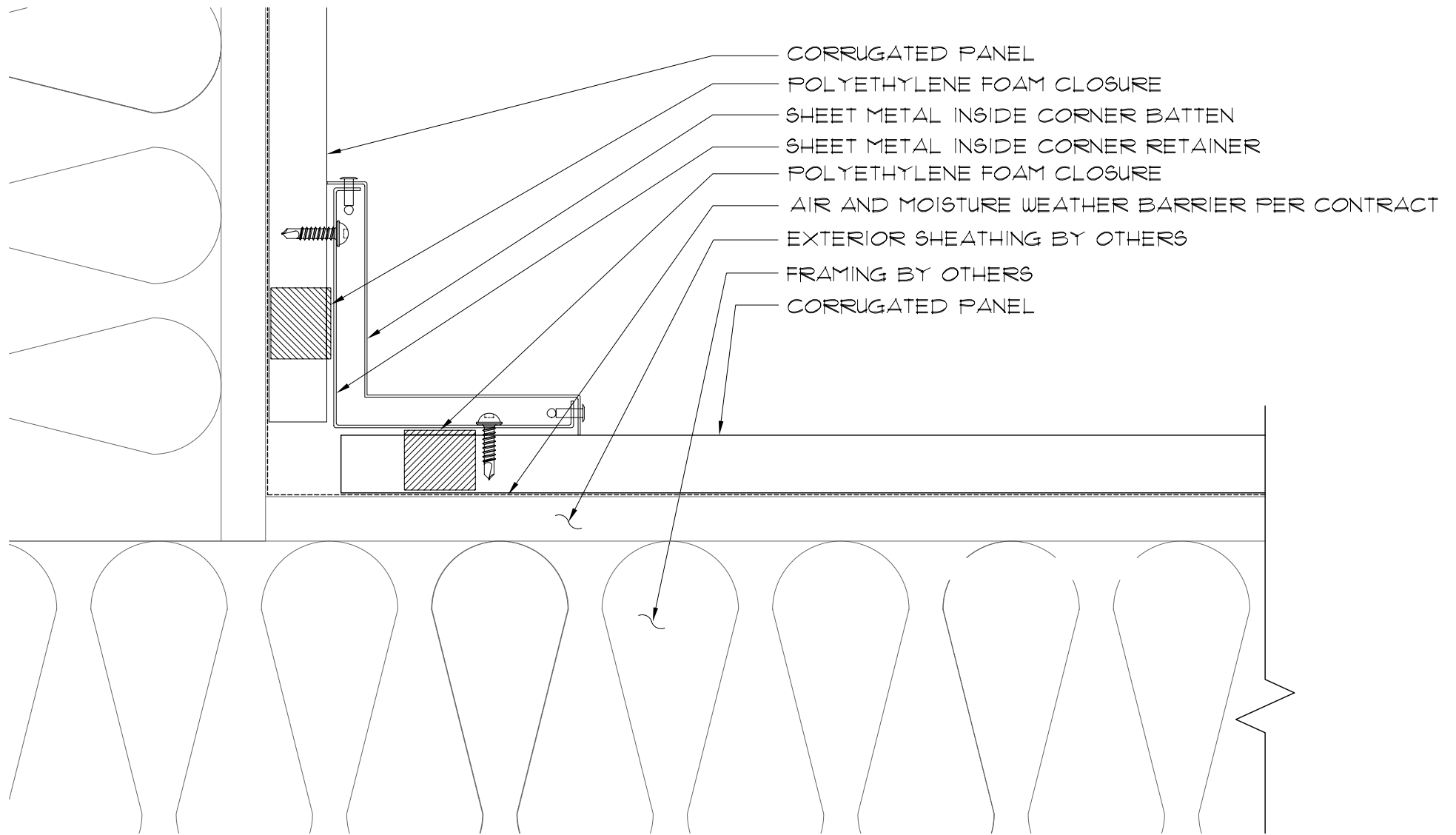
08 CORRUGATED @ OUTSIDE CORNER DETAIL

STANDARD CORRUGATED DETAILS

IF YOU ARE INTERESTED IN USING THESE DETAILS IN YOUR DESIGN SHEETS, PLEASE CONTACT BESTWORTH-ROMMEL FOR ADDITIONAL DETAILS, CADD DWGS, OR FURTHER INFORMATION REGARDING OUR PANEL SYSTEMS



BESTWORTH-ROMMEL, INC.  
 19818 74TH Ave. N.E.  
 Arlington, WA 98223  
 360.435.2921  
 www.bestworth.com



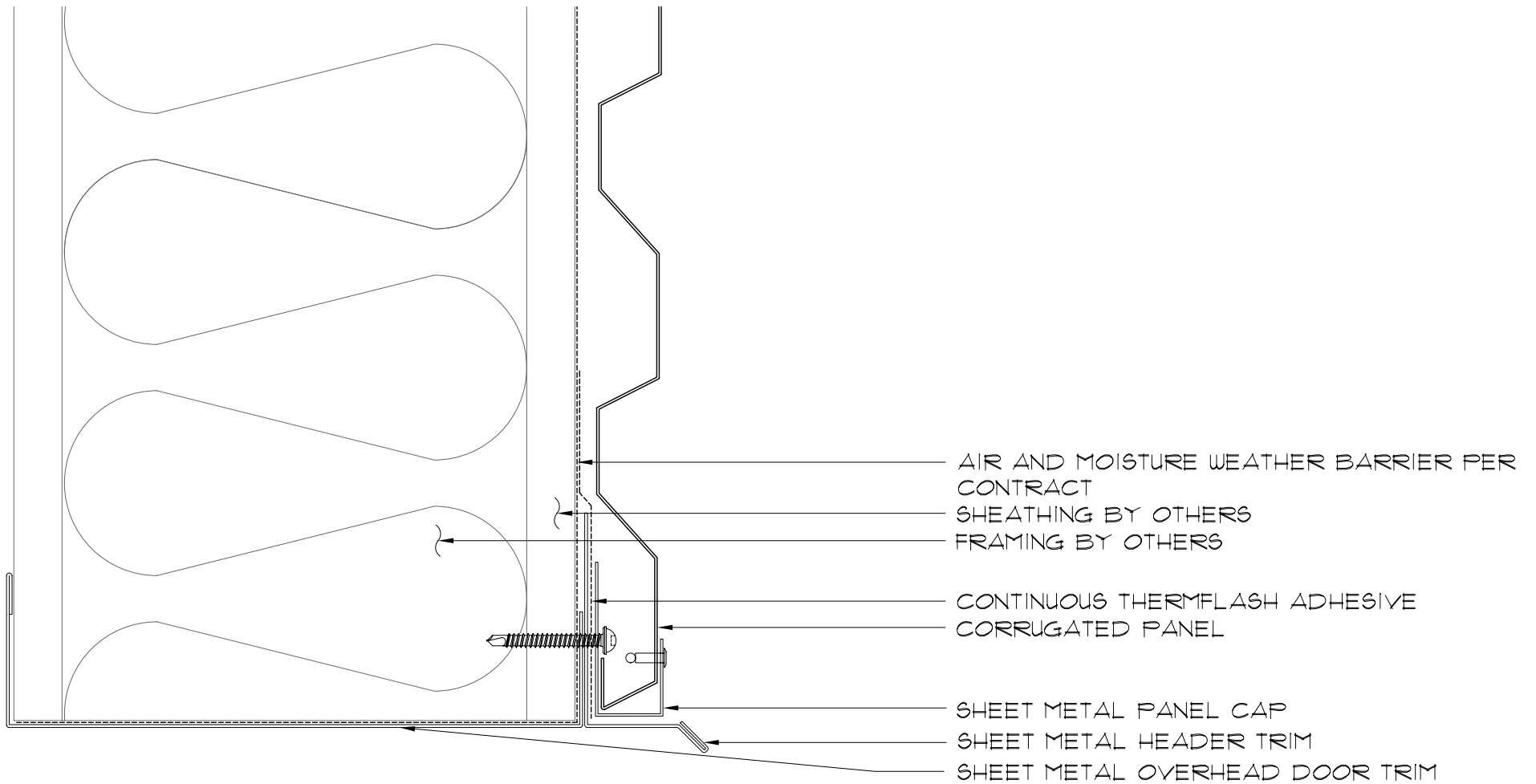
Ø9 CORRUGATED @ INSIDE CORNER DETAIL

STANDARD CORRUGATED DETAILS

IF YOU ARE INTERESTED IN USING THESE DETAILS IN YOUR DESIGN SHEETS, PLEASE CONTACT BESTWORTH-ROMMEL FOR ADDITIONAL DETAILS, CADD DWGS, OR FURTHER INFORMATION REGARDING OUR PANEL SYSTEMS



BESTWORTH-ROMMEL, INC.  
 19818 74TH Ave. N.E.  
 Arlington, WA 98223  
 360.435.2921  
 www.bestworth.com



10 CORRUGATED @ OVERHEAD DOOR HEADER DETAIL

**STANDARD CORRUGATED DETAILS**

IF YOU ARE INTERESTED IN USING THESE DETAILS IN YOUR DESIGN SHEETS, PLEASE CONTACT BESTWORTH-ROMMEL FOR ADDITIONAL DETAILS, CADD DWGS, OR FURTHER INFORMATION REGARDING OUR PANEL SYSTEMS



BESTWORTH-ROMMEL, INC.  
 19818 74TH Ave. N.E.  
 Arlington, WA 98223  
 360.435.2921  
 www.bestworth.com